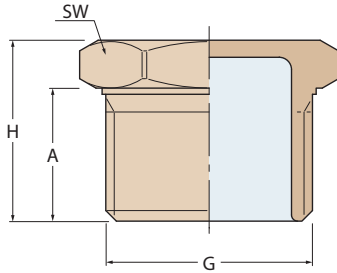


0290I

Tappo maschio
Plug M

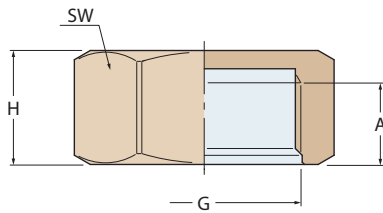


0290I	1/8"	1/4"	3/8"	1/2"	3/4"	1"	1 1/4"	1 1/2"	2"
SW	13	16	18	23	28	37	45	50	62
H	17	17	18	21	23	27	30	31	36
A	12	12	12	15	15	20	21	21	26
G	1/8"	1/4"	3/8"	1/2"	3/4"	1"	1 1/4"	1 1/2"	2"

Acciaio inox
Stainless steel

0300I

Tappo femmina
Cap F

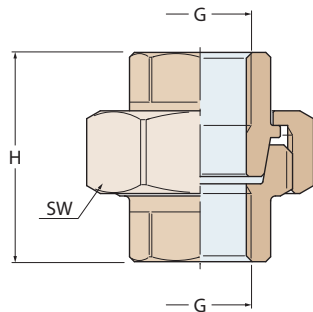


0300I	1/8"	1/4"	3/8"	1/2"	3/4"	1"	1 1/4"	1 1/2"	2"
SW	17	18	22	26	30	40	48	54	66
H	17	17	18	20	23	22	25	32	35
A	8	9	9	10	12	15	19	20	22
G	1/8"	1/4"	3/8"	1/2"	3/4"	1"	1 1/4"	1 1/2"	2"

Acciaio inox
Stainless steel

0340I

Bocchettone femmina sede conica
Union F-F tapered seat



0340I	1/8"	1/4"	3/8"	1/2"	3/4"	1"	1 1/4"	1 1/2"	2"
SW	30	30	34	40	48	58	68	72	90
H	33	33	34	39	43	50	56	56	65
G	1/8"	1/4"	3/8"	1/2"	3/4"	1"	1 1/4"	1 1/2"	2"

Acciaio inox
Stainless steel