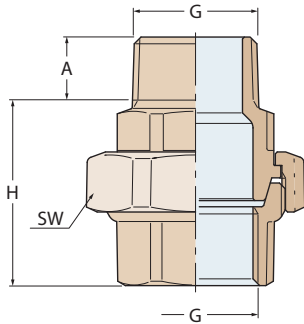


0341I

Bocchettone M-F sede conica
Union M-F tapered seat

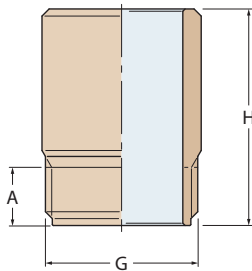


0341I	1/8"	1/4"	3/8"	1/2"	3/4"	1"	1 1/4"	1 1/2"	2"
SW	30	30	34	40	48	58	68	72	90
H	33	33	34	39	43	50	56	56	65
A	9	11	13	13.2	14.5	16.8	19.1	19.1	23.4
G1	1/8"	1/4"	3/8"	1/2"	3/4"	1"	1 1/4"	1 1/2"	2"

Acciaio inox
Stainless steel

0532I

Tronchetto maschio
Straight union with male head

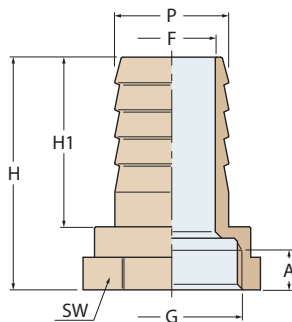


0532I	1/4"	3/8"	1/2"	3/4"	1"	1 1/4"	1 1/2"	2"
H	30	30	35	40	40	50	50	50
A	12	12	15	15	17	18	20	22
G	1/4"	3/8"	1/2"	3/4"	1"	1 1/4"	1 1/2"	2"

Acciaio inox
Stainless steel

1005I

Portagomma femmina serie "Extra"
Hose connector "Extra" series
with female head



1005I	3/8"	1/2"	3/4"	1"	1 1/4"	1 1/2"	2"
SW	20	25	30	38	45	52	65
H	40	47	50	55	60	70	70
H1	30	34	37	39	44	49	50
A	8	10	10	11	12	15	15
F	10	15	15	18	34	39	43
P	15	20	20	25	40	45	50
G	3/8"	1/2"	3/4"	1"	1 1/4"	1 1/2"	2"

Acciaio inox
Stainless steel