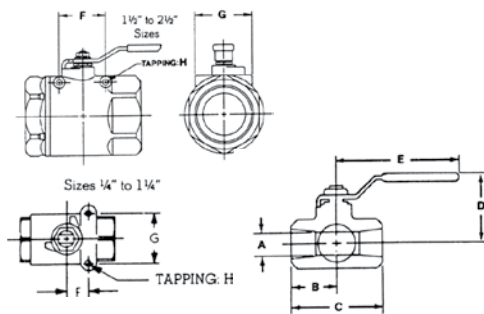
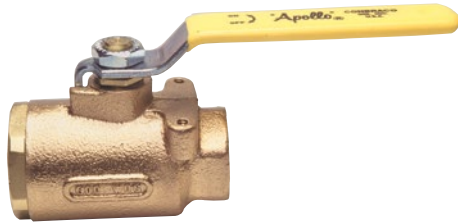




77-100-10 SERIES
FULL PORT SHUT-OFF VALVE



The bronze full port Apollo® with mounting pads for easy, secure installation and quick, convenient bonding. Use in any valve application where full flow is required.

FEATURES

- Bronze Body
- Chromium Plated Brass Ball
- RPTFE Seats and Stuffing Box Ring
- Blowout-Proof Stem Design
- Stainless Steel Lever and Nut

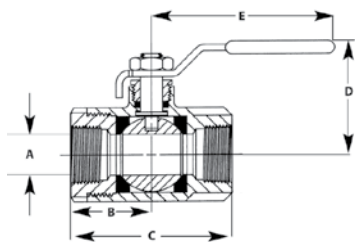
OPTIONS

- 316 Stainless Steel Ball and Stem

DIMENSIONS

PART NUMBER	SIZE (IN.)	DIMENSIONS (IN.)							
		A	B	C	D	E	F	G	H
77-101-01	1/4"	0.43	1.09	2.18	1.77	3.87	0.50	1.12	10-24 NC
77-102-01	3/8"	0.50	1.09	2.18	1.77	3.87	0.50	1.12	10-24 NC
77-103-01	1/2"	0.50	1.09	2.18	1.77	3.87	0.50	1.12	10-24 NC
77-104-01	3/4"	0.81	1.56	3.12	2.12	4.87	0.87	1.37	10-24 NC
77-105-01	1"	1.00	1.81	3.62	2.62	5.50	0.93	1.50	1/4-20 NC
77-106-01	1-1/4"	1.25	2.12	4.25	2.87	5.50	0.93	1.50	1/4-20 NC
77-107-01	1-1/2"	1.50	2.37	4.75	3.34	8.00	2.08	3.06	5/16-24 NF
77-108-01	2"	2.00	2.65	5.37	3.71	8.00	2.41	3.52	5/16-24 NF
77-109-01	2-1/2"	2.50	3.25	6.50	4.12	8.00	2.75	3.37	1/4-20 NC

70-100-10 SERIES
BALL VALVE



The mainstay of our valve line. Dependable, competitive and available with stainless steel lever and nut.

FEATURES

- Bronze Body
- Chromium Plated Brass Ball
- RPTFE Seats and Stuffing Box Ring
- Blowout-Proof Stem Design
- Stainless Steel Lever and Nut

OPTIONS

- 316 Stainless Steel Ball and Stem

DIMENSIONS

PART NUMBER	SIZE (IN.)	DIMENSIONS (IN.)					WT. (LB.)
		A	B	C	D	E	
70-101-01	1/4"	0.37	1.03	2.06	1.75	3.87	0.60
70-102-01	3/8"	0.37	1.03	2.06	1.75	3.87	0.56
70-103-01	1/2"	0.50	1.12	2.25	1.75	3.87	0.63
70-104-01	3/4"	0.68	1.50	3.00	2.12	4.87	1.39
70-105-01	1"	0.87	1.68	3.37	2.25	4.87	1.72
70-106-01	1-1/4"	1.00	2.00	4.00	2.62	5.50	3.26
70-107-01	1-1/2"	1.25	2.18	4.37	3.06	8.00	4.61
70-108-01	2"	1.50	2.34	4.68	3.25	8.00	6.06
70-109-01	2-1/2"	2.00	3.12	6.25	3.72	8.00	13.96
70-100-01	3"	2.50	3.37	6.75	4.12	8.00	18.60
70-10A-01	4"	3.12	3.68	7.37	5.25	10.00	25.50