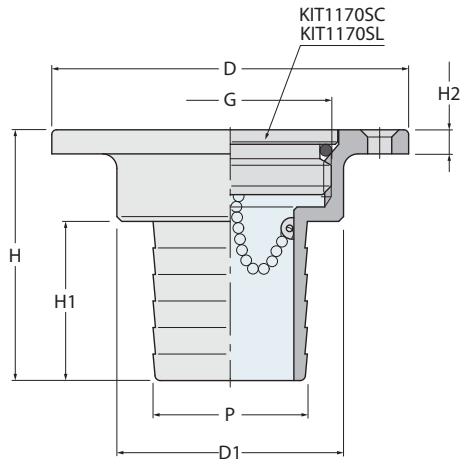


# tappi imbarco e tappi scarico deck fillers and pump-out

**1171C**

**Tappo imbarco a filo "FUEL" con portagomma**  
"FUEL" deck filler with hose connector



FILETTATURE / THREAD :  
G = ISO 228/1 (BS 2779)

	■	■	■
<b>1171C</b>	■	■	■
<b>1171L</b>	■	■	■
Weight (gr)	430	455	540
H	65	65	65
H1	45	45	46
H2	5	5	5
D1	54	54	54
D	83	83	83
<b>P</b>	<b>38</b>	<b>40</b>	<b>50</b>
<b>G</b>	<b>1"1/2</b>	<b>1"1/2</b>	<b>1"1/2</b>



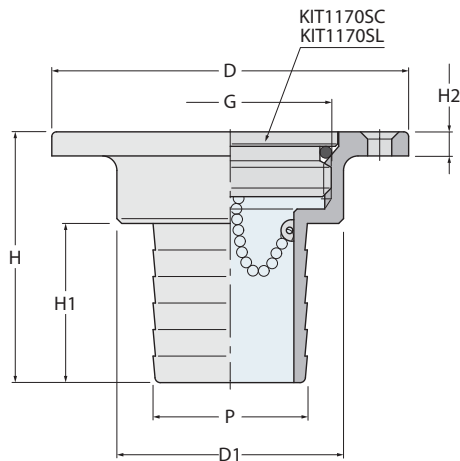
Ottone cromato  
Chromium-plated brass ■

**1171L**

Ottone lucido  
Polished brass ■

**1172C**

**Tappo imbarco a filo "WATER" con portagomma**  
"WATER" deck filler with hose connector



FILETTATURE / THREAD :  
G = ISO 228/1 (BS 2779)

	■	■	■
<b>1172C</b>	■	■	■
<b>1172L</b>	■	■	■
Weight (gr)	430	455	540
H	65	65	65
H1	45	45	46
H2	5	5	5
D1	54	54	54
D	83	83	83
<b>P</b>	<b>38</b>	<b>40</b>	<b>50</b>
<b>G</b>	<b>1"1/2</b>	<b>1"1/2</b>	<b>1"1/2</b>



Ottone cromato  
Chromium-plated brass ■

**1172L**

Ottone lucido  
Polished brass ■



GENERAL  
*Marine*  
SERVICES

156 Beaumont Street · Westhaven · Auckland · New Zealand

Sales Ph +64 9 309 0048 · sales@generalmarine.co.nz

Service Ph +64 9 368 0938 · service@generalmarine.co.nz

[www.generalmarine.co.nz](http://www.generalmarine.co.nz)