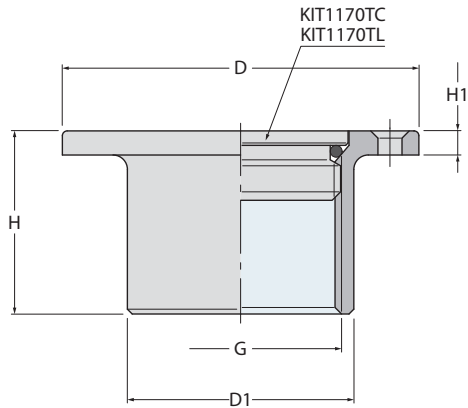


# tappi imbarco e tappi scarico deck fillers and pump-out

## 1173C

tappo imbarco a filo "FUEL"  
"FUEL" deck filler



FILETTATURE / THREAD :  
G = ISO 228/1 (BS 2779)

|              |              |              |
|--------------|--------------|--------------|
| <b>1173C</b> | ■            | ■            |
| <b>1173L</b> | ■            | ■            |
| Weight (gr)  | 330          | 440          |
| H            | 48           | 48           |
| H1           | 5            | 5            |
| D1           | 47           | 54           |
| D            | 74           | 83           |
| <b>G</b>     | <b>1"1/4</b> | <b>1"1/2</b> |



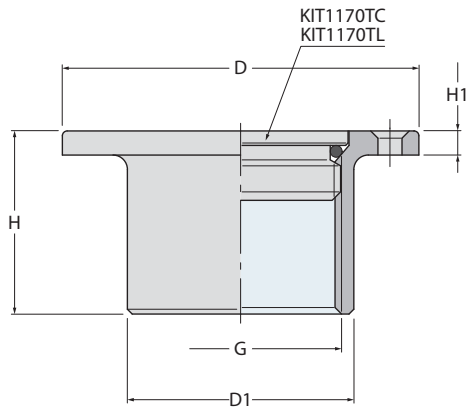
Ottone cromato  
Chromium-plated brass ■

**1173L**

Ottone lucido  
Polished brass ■

## 1176C

tappo imbarco a filo "WATER"  
"WATER" deck filler



FILETTATURE / THREAD :  
G = ISO 228/1 (BS 2779)

|              |              |              |
|--------------|--------------|--------------|
| <b>1176C</b> | ■            | ■            |
| <b>1176L</b> | ■            | ■            |
| Weight (gr)  | 330          | 440          |
| H            | 48           | 48           |
| H1           | 5            | 5            |
| D1           | 47           | 54           |
| D            | 74           | 83           |
| <b>G</b>     | <b>1"1/4</b> | <b>1"1/2</b> |



Ottone cromato  
Chromium-plated brass ■

**1176L**

Ottone lucido  
Polished brass ■



GENERAL  
*Marine*  
SERVICES

156 Beaumont Street · Westhaven · Auckland · New Zealand

Sales Ph +64 9 309 0048 · sales@generalmarine.co.nz

Service Ph +64 9 368 0938 · service@generalmarine.co.nz

[www.generalmarine.co.nz](http://www.generalmarine.co.nz)