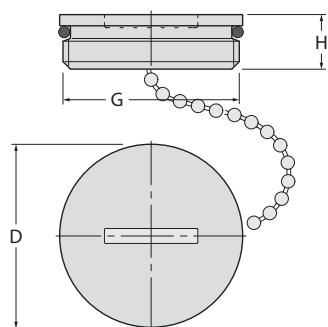


ricambi spare parts

KIT1170SC

Kit tappo M con o-ring, catenella e vite
Spare plug with o-ring, chain and screw



FILETTATURE / THREAD :
G = ISO 228/1 (BS 2779)

KIT1170SC ■
for Art. 1171C - 1172C - 1174C - 1177C

KIT1170SL ■
for Art. 1171L - 1172L - 1174L - 1177L

D	49
H	15
G	1"1/2



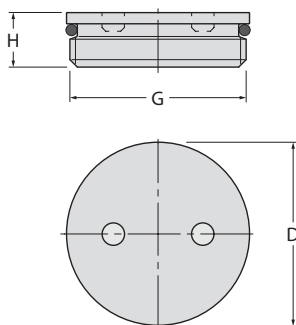
Ottone cromato ■
Chromium-plated brass

KIT1170SL

Ottone lucido ■
Polished brass

KIT1170TC

Kit tappo M con o-ring
Spare plug M with o-ring



FILETTATURE / THREAD :
G = ISO 228/1 (BS 2779)

KIT1170TC ■
for Art. 1173C - 1176C

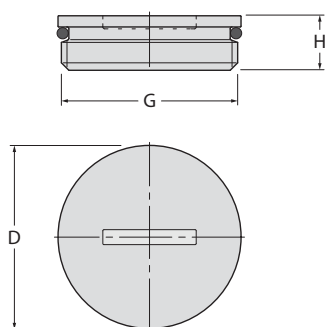
D	49
H	15
G	1"1/2



Ottone cromato ■
Chromium-plated brass

KIT1170SC-2

Kit tappo M con o-ring
Spare plug M with o-ring



FILETTATURE / THREAD :
G = ISO 228/1 (BS 2779)

KIT1170SC-2 ■
for Art. 1178C - 1179C

KIT1170SL-2 ■
for Art. 1178L - 1179L

D	49
H	15
G	1"1/2



Ottone cromato ■
Chromium-plated brass

KIT1170SL-2

Ottone lucido ■
Polished brass



GENERAL
Marine
SERVICES

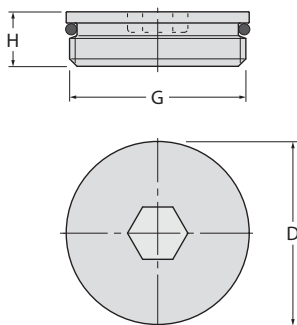
156 Beaumont Street · Westhaven · Auckland · New Zealand
Sales Ph +64 9 309 0048 · sales@generalmarine.co.nz
Service Ph +64 9 368 0938 · service@generalmarine.co.nz

www.generalmarine.co.nz

ricambi spare parts

KIT1182TC

Kit tappo M con o-ring
Spare plug M with o-ring



FILETTATURE / THREAD :
G = ISO 228/1 (BS 2779)



Ottone cromato
Chromium-plated brass

KIT1182TC

for Art. 1182C

KIT1182TL

for Art. 1182L

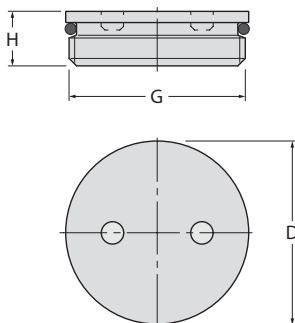
D	49
H	15
G	1"1/2

KIT1182TL

Ottone lucido
Polished brass

KIT1180

Tappo M e o-ring per tappo imbarco
Set comprising plug and o-ring for deck filler



FILETTATURE / THREAD :
G = ISO 228/1 (BS 2779)



Bronzo
Bronze

KIT1180

for Art. 1180

D	36	45	54	70	85	94	110
H	16	22	20	24	25	25	26
G	1"	1"1/4	1"1/2	2"	2"1/2	3"	3"1/2



GENERAL
Marine
SERVICES

156 Beaumont Street · Westhaven · Auckland · New Zealand

Sales Ph +64 9 309 0048 · sales@generalmarine.co.nz

Service Ph +64 9 368 0938 · service@generalmarine.co.nz

www.generalmarine.co.nz