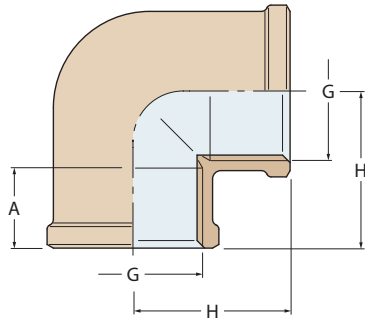


30090

Gomito a 90° F-F
90° elbow F-F



FILETTATURE / THREAD :
G = EN 10226/1 (BS 21)



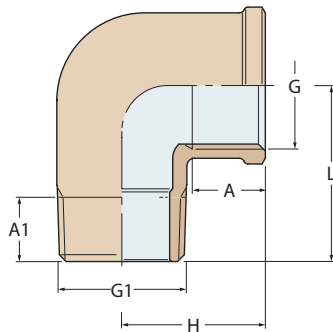
Alluminio anodizzato nero
Black anodized aluminium

30090

Weight (gr)	120	150	255	445	555	860	1380
H	45	48	59	70	78	94	111
A	21.4	21.4	25.7	27	28	30	32
G	1"1/4	1"1/2	2"	2"1/2	3"	4"	5"

30092

Gomito a 90° M-F
90° elbow M-F



FILETTATURE / THREAD :
G - G1 = EN 10226/1 (BS 21)



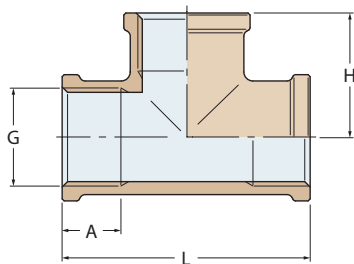
Alluminio anodizzato nero
Black anodized aluminium

30092

Weight (gr)	120	160	250	410	530	850	1350
L	54	59	69	83	94	114	134
H	45	48	59	70	78	94	111
A1	19.1	19.1	23.4	26.7	29.8	35.8	40.1
A	21.4	21.4	25.7	27	28	30	32
G - G1	1"1/4	1"1/2	2"	2"1/2	3"	4"	5"

30130

Raccordo a "T" F-F-F
Equal "T" F-F-F



FILETTATURE / THREAD :
G = EN 10226/1 (BS 21)



Alluminio anodizzato nero
Black anodized aluminium

30130

Weight (gr)	165	195	330	560	720	1140	1520
L	90	96	118	140	156	188	222
H	45	48	59	70	78	94	111
A	21.4	21.4	25.7	27	28	30	32
G	1"1/4	1"1/2	2"	2"1/2	3"	4"	5"