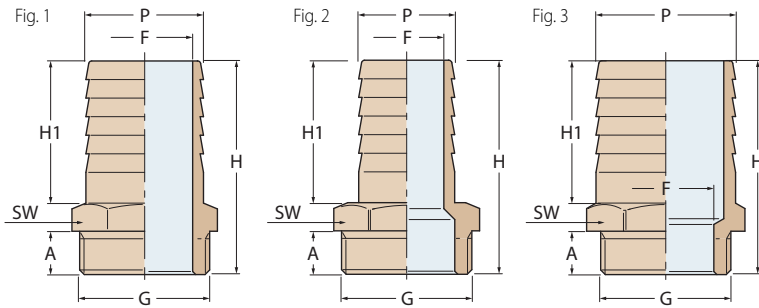


Portagomma maschio
Hose connector M

Conforme alla norma
Compliant with
UNI EN ISO 9093-1



FILETTATURE / THREAD:
G = ISO 228/1 (BS 2779)

31004	■	■	■	■	■	■	■	■	■	■	■
Fig.	2	1	1	2	2	2	1	2	2	1	3
Weight (gr)	42	44	50	56	60	68	73	80	88	91	101
SW	35	35	35	46	46	46	46	52	52	52	52
H	56.5	56.5	62.5	65	65	65	65	68	68	74	74
H1	36	36	42	42	42	42	42	42	42	48	48
A	13	13	13	14	14	14	14	16	16	16	16
F	20	25	26	26.5	29.5	32.5	34	32.5	34.5	39.5	40
P	25	30	32	32	35	38	40	38	40	45	50
G	1"	1"	1"	1"1/4	1"1/4	1"1/4	1"1/4	1"1/2	1"1/2	1"1/2	1"1/2

31004	■	■	■	■	■	■	■	■	■	■
Fig.	2	3	2	2	2	2	2	2	2	2
Weight (gr)	130	141	188	175	201	206	284	325	510	950
SW	65	65	80	80	80	80	93	93	122	148
H	75	75	78	78	78	86	97	97	116	138
H1	48	48	48	48	48	56	64	64	80	96
A	16	16	18	18	18	18	20	20	22	27
F	44.5	51	53.5	56.5	58.5	63.5	68.5	72	90	114
P	50	60	60	63	65	70	76	80	100	125
G	2"	2"	2"1/2	2"1/2	2"1/2	2"1/2	3"	3"	4"	5"

Alluminio anodizzato nero
Black anodized aluminium