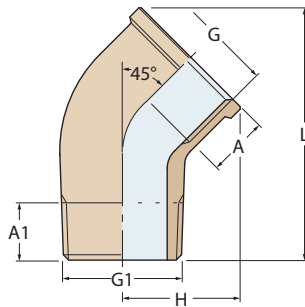


**0121B**

**Gomito a 45° M-F**  
45° elbow M-F



FILETTATURE / THREAD :  
G - G1 = EN 10226/1 (BS 21)

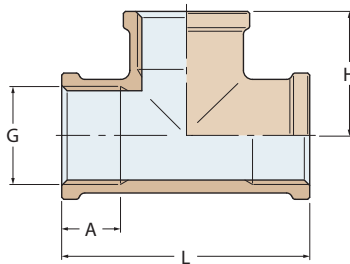
0121B	3/8"	1/2"	3/4"	1"	1 1/4"	1 1/2"	2"	2 1/2"	3"	4"
Weight (gr)	50	85	130	205	330	410	670	1120	1510	2390
L	44	52	60	71	82	88	105	117	129	156
H	20	23	28	34	41	43	53	62	69	85
A1	10.1	13.2	14.5	16.8	19.1	19.1	23.4	26.7	29.8	35.8
A	11.4	15	16.3	19.1	21.4	21.4	25.7	27	28	30.5
G - G1	3/8"	1/2"	3/4"	1"	1 1/4"	1 1/2"	2"	2 1/2"	3"	4"



Bronzo  
Bronze

**0130B**

**Raccordo a "T" F-F-F**  
Equal "T" F-F-F



FILETTATURE / THREAD :  
G = EN 10226/1 (BS 21)

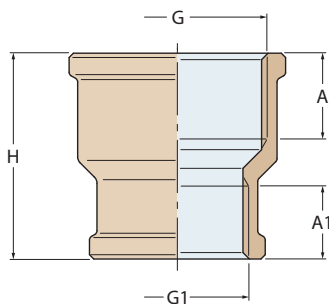
0130B	3/8"	1/2"	3/4"	1"	1 1/4"	1 1/2"	2"	2 1/2"	3"	4"	5"
Weight (gr)	95	130	205	310	540	635	1145	1830	2380	3780	5040
L	42	54	63	75	90	96	118	140	156	188	222
H	21	27	31.5	37.5	45	48	59	70	78	94	111
A	13.5	15	16.3	19.1	21.4	21.4	25.7	27	28	30	32
G	3/8"	1/2"	3/4"	1"	1 1/4"	1 1/2"	2"	2 1/2"	3"	4"	5"



Bronzo  
Bronze

**0240B**

**Manicotto ridotto F-F**  
Reducing socket F-F



FILETTATURE / THREAD :  
G - G1 = EN 10226/1 (BS 21)

0240B	3/8"	1/2"	3/4"	1"	1 1/4"	1 1/2"
Weight (gr)	55	85	135	215	280	450
H	30	36	41	47	49	55
A	11.4	15	16.3	19.1	21.4	21.4
A1	15	16.3	19.1	21.4	21.4	25.7
G1	3/8"	1/2"	3/4"	1"	1 1/4"	1 1/2"
G	1/2"	3/4"	1"	1 1/4"	1 1/2"	2"



Bronzo  
Bronze