

**0241B**

**Riduzione M-F**  
Bushing M-F

Fig. 1

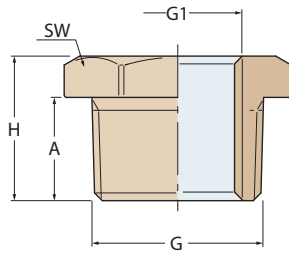
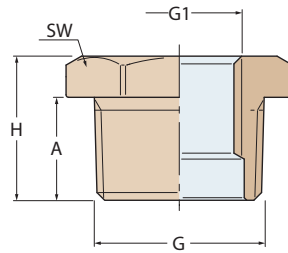


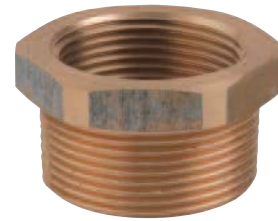
Fig. 2



FILETTATURE / THREAD:  
G - G1 = EN 10226/1 (BS 21)

0241B	■	■	■	■	■	■	■	■
Fig.	2	1	2	1	2	1	2	1
Weight (gr)	36	30	60	50	105	85	200	160
SW	22	22	28	28	35	35	46	46
H	21.5	21.5	23.5	23.5	26.5	26.5	30.5	30.5
A	15	15	16.5	16.5	19	19	21.5	21.5
G1	1/4"	3/8"	3/8"	1/2"	1/2"	3/4"	3/4"	1"
G	1/2"	1/2"	3/4"	3/4"	1"	1"	1 1/4"	1 1/4"

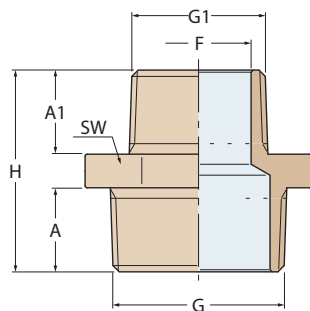
0241B	■	■	■	■	■	■
Fig.	2	2	1	2	2	2
Weight (gr)	280	240	160	540	680	1460
SW	52	52	52	80	93	122
H	31.5	31.5	31.5	38	41.5	48
A	21.5	21.5	25.5	26	28.5	34
G1	1"	1 1/4"	1 1/2"	2"	2 1/2"	3"
G	1 1/2"	1 1/2"	2"	2 1/2"	3"	4"



Bronzo  
Bronze

**0245B**

**Niples doppio ridotto M-M**  
Reducing nipple M-M



FILETTATURE / THREAD:  
G - G1 = EN 10226/1 (BS 21)

0245B	■	■	■	■	■	■	■	■	■	
Weight (gr)	40	70	115	200	260	410	410	610	900	1570
SW	22	28	35	46	52	65	65	80	93	122
F	12	15	20	26	34	34	40	51	65	76
H	33	38.5	43	49.5	53	58	58	63.5	67.5	76.5
A1	11.5	15	16.5	19	21.5	21.5	21.5	25.5	26	28.5
A	15	16.5	19	21.5	21.5	25.5	25.5	26	28.5	34
G1	3/8"	1/2"	3/4"	1"	1 1/4"	1 1/4"	1 1/2"	2"	2 1/2"	3"
G	1/2"	3/4"	1"	1 1/4"	1 1/2"	2"	2"	2 1/2"	3"	4"



Bronzo  
Bronze