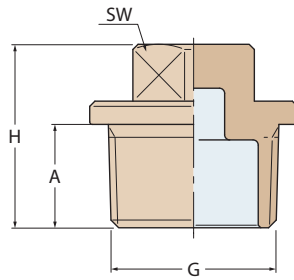


**0290B**

**Tappo maschio**  
Plug M



FILETTATURE / THREAD :  
G = EN 10226/1 (BS 21)

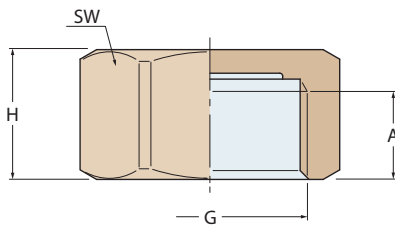
0290B	10	15	20	35	60	100	160	200	350
Weight (gr)	10	15	20	35	60	100	160	200	350
SW	6	8	10	15	17	19	22	22	27
H	14	18.5	19.5	24	27	30	34.5	35	39.5
A	7.5	11	11.5	15	16.5	19	21.5	21.5	25.5
G	1/8"	1/4"	3/8"	1/2"	3/4"	1"	1 1/4"	1 1/2"	2"



Bronzo  
Bronze

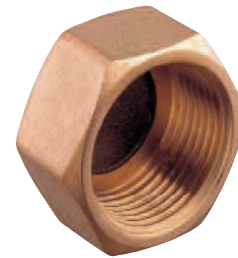
**0300B**

**Tappo femmina**  
Cap F



FILETTATURE / THREAD :  
G = ISO 228/1 (BS 2779)

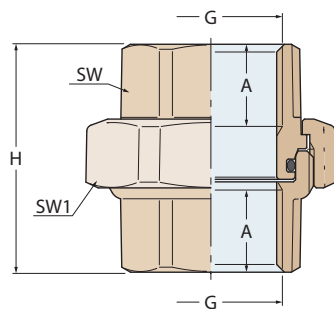
0300B	10	15	25	45	70	130	210	230	445
Weight (gr)	10	15	25	45	70	130	210	230	445
SW	13	16	20	25	30	38	47	53	66
H	9.5	13.5	14	18	20	23	25.5	25.5	30
A	8	10	10	13	15	17	19	19	23.5
G	1/8"	1/4"	3/8"	1/2"	3/4"	1"	1 1/4"	1 1/2"	2"



Bronzo  
Bronze

**0340B**

**Bocchettone femmina sede conica con O-ring**  
Union F-F tapered seat with O-ring



FILETTATURE / THREAD :  
G = EN 10226/1 (BS 21)

0340B	210	305	400	540	680	1010	1540	1900	3200
Weight (gr)	210	305	400	540	680	1010	1540	1900	3200
SW1	39	45	53	63	70	84	103	118	147
SW	25	31	38	47	54	67	82	95	122
H	45	47	53	58	59	69	75	82	90
A	15	16.3	19.1	21.4	21.4	25.7	28	30	32
G	1/2"	3/4"	1"	1 1/4"	1 1/2"	2"	2 1/2"	3"	4"



Bronzo  
Bronze