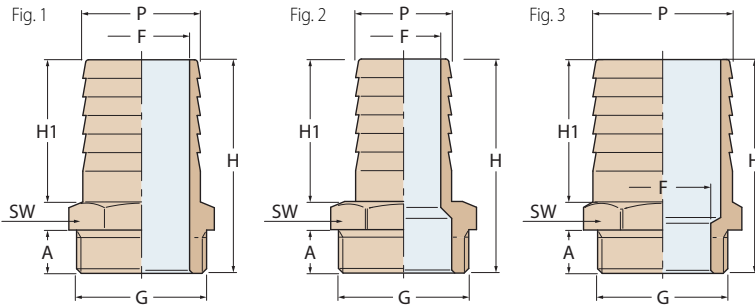


Portagomma maschio
Hose connector M

Omologato RINA
RINA validated

Conforme alla norma
Compliant with
UNI EN ISO 9093-1



FILETTATURE / THREAD :
G = ISO 228/1 (BS 2779)

1004B	■	■	■	■	■	■	■	■	■	■	■
Fig.	2	2	2	2	2	2	2	2	2	1	3
Weight (gr)	25	25	30	30	40	40	40	45	50	50	50
SW	16	19	19	19	22	22	22	22	22	22	22
H	44	46	46	46	48.5	48.5	48.5	48.5	48.5	48.5	48.5
H1	30	30	30	30	30	30	30	30	30	30	30
A	9	10	10	10	12	12	12	12	12	12	12
F	6.5	6.5	9	11.5	6.5	8.5	9	10.5	12.5	15	15
P	10	10	13	15	10	12	13	14	16	19	20
G	1/4"	3/8"	3/8"	3/8"	1/2"	1/2"	1/2"	1/2"	1/2"	1/2"	1/2"

Bronzo ■
Bronze

1004B	■	■	■	■	■	■	■	■
Fig.	2	2	2	1	2	2	2	3
Weight (gr)	65	85	85	100	115	130	130	140
SW	28	28	28	28	35	35	35	35
H	49	49	49	55	50.5	56.5	56.5	62.5
H1	30	30	30	36	30	36	36	42
A	12	12	12	12	13	13	13	13
F	12.5	15	16	20	16	20	25	26
P	16	19	20	25	20	25	30	32
G	3/4"	3/4"	3/4"	3/4"	1"	1"	1"	1"

1004B	■	■	■	■	■	■	■	■	■	■	■	
Fig.	2	2	2	2	3	2	2	2	3	2	2	3
Weight (gr)	205	230	240	250	260	270	300	310	320	450	455	500
SW	46	46	46	46	46	52	52	52	52	65	65	65
H	59	65	65	65	65	68	68	74	74	75	75	75
H1	36	42	42	42	42	42	42	48	48	48	48	48
A	14	14	14	14	14	16	16	16	16	16	16	16
F	25	26.5	29.5	32.5	34	32.5	34.5	39.5	40	44.5	46.5	51
P	30	32	35	38	40	38	40	45	50	50	52	60
G	1 1/4"	1 1/4"	1 1/4"	1 1/4"	1 1/4"	1 1/2"	1 1/2"	1 1/2"	1 1/2"	2"	2"	2"

1004B	■	■	■	■	■	■	■	■	■	
Fig.	2	2	2	2	3	2	2	3	2	2
Weight (gr)	700	720	730	740	1050	1050	1100	1110	1750	3050
SW	80	80	80	80	80	93	93	93	122	148
H	78	78	78	86	95	97	97	97	116	138
H1	48	48	48	56	64	64	64	64	80	96
A	18	18	18	18	18	20	20	20	22	27
F	53.5	56.5	58.5	63.5	65	68.5	72	76	90	114
P	60	63	65	70	75	76	80	90	100	125
G	2 1/2"	2 1/2"	2 1/2"	2 1/2"	3"	3"	3"	3"	4"	5"