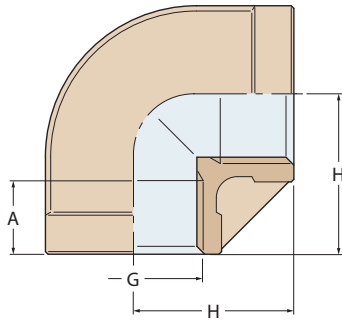


**0090I**

**Gomito a 90° F-F**  
90° elbow F-F

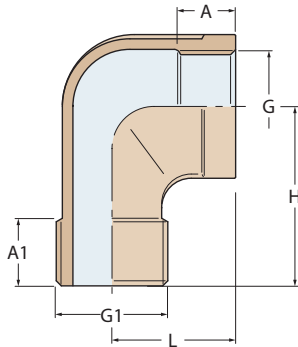


0090I	1/8"	1/4"	3/8"	1/2"	3/4"	1"	1 1/4"	1 1/2"	2"
H	16	19	23	28	29	32	41	45	56
A	7	8	8	9	9	10	12	14	16
G	1/8"	1/4"	3/8"	1/2"	3/4"	1"	1 1/4"	1 1/2"	2"

Acciaio inox  
Stainless steel

**0092I**

**Gomito a 90° M-F**  
90° elbow M-F

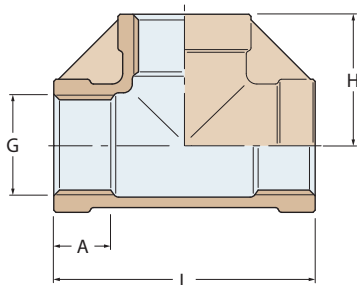


0092I	1/8"	1/4"	3/8"	1/2"	3/4"	1"	1 1/4"	1 1/2"	2"
H	26	32	36	41	46	52	57	58	80
L	17	19	21	28	32	38	39	49	57
A1	10	12	12	16	16	17	17	21	24
A	7	8	8	9	9	10	12	14	16
G - G1	1/8"	1/4"	3/8"	1/2"	3/4"	1"	1 1/4"	1 1/2"	2"

Acciaio inox  
Stainless steel

**0130I**

**Raccordo a "T" F-F-F**  
Equal "T" F-F-F



0130I	1/8"	1/4"	3/8"	1/2"	3/4"	1"	1 1/4"	1 1/2"	2"
L	38	38	44	54	63	71	85	95	105
H	20	19	22	27	32	35	42	46	54
A	7	7	8	9	10	10	14	15	17
G	1/8"	1/4"	3/8"	1/2"	3/4"	1"	1 1/4"	1 1/2"	2"

Acciaio inox  
Stainless steel