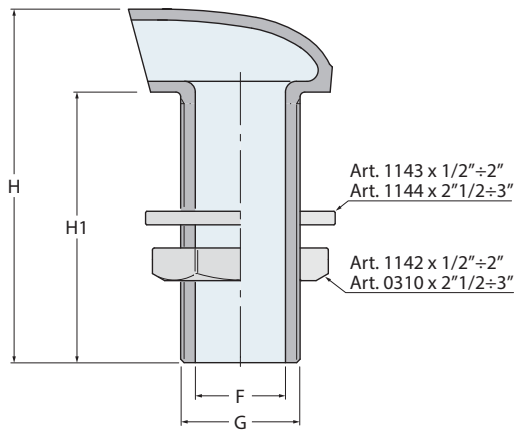


sfiati e ombrinali vents and scuppers

1193

Ombrinale serie "spazio"
Scupper "space" series



FILETTATURE / THREAD :
G = ISO 228/1 (BS 2779)

	1193							
Weight (gr)	160	230	375	550	705	1000	1980	2650
H	83	88	98	106	116	124	140	166
H1	65	68	75	80	85	90	100	120
F	15	19	25	33	39	50	65	78
G	1/2"	3/4"	1"	1 1/4"	1 1/2"	2"	2 1/2"	3"

Ottone cromato
Chromium-plated brass

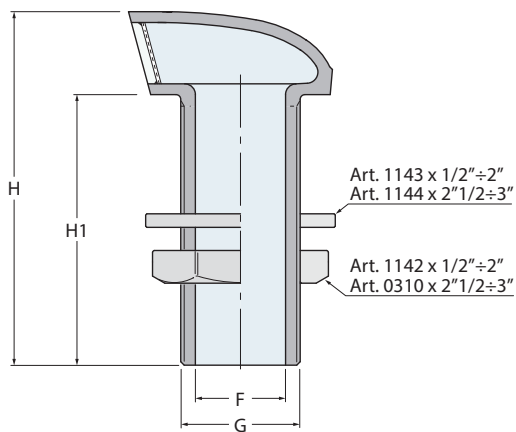
1192



Ottone sabbato
Yellow brass

1194

Bocchetta sfiato con retina inox
Vent with stainless steel flame protection net



FILETTATURE / THREAD :
G = ISO 228/1 (BS 2779)

	1194					
Weight (gr)	165	235	380	560	715	1015
H	83	88	98	106	116	124
H1	65	68	75	80	85	90
F	15	19	25	33	39	50
G	1/2"	3/4"	1"	1 1/4"	1 1/2"	2"

Ottone cromato
Chromium-plated brass



GENERAL
Marine
SERVICES

156 Beaumont Street · Westhaven · Auckland · New Zealand

Sales Ph +64 9 309 0048 · sales@generalmarine.co.nz

Service Ph +64 9 368 0938 · service@generalmarine.co.nz

www.generalmarine.co.nz