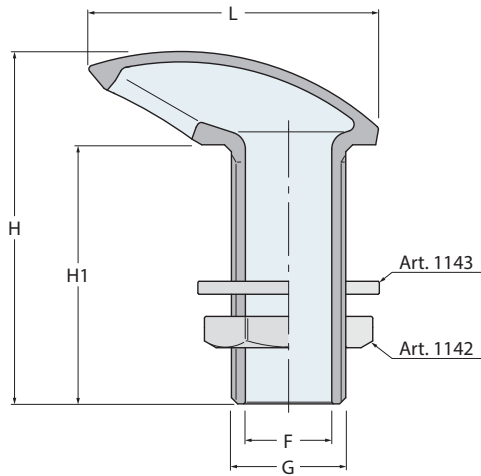


## sfiati e ombrinali vents and scuppers

**1198**

**Ombrinale serie "arrow"**  
Air vent "arrow" series



FILETTATURE / THREAD :  
G = ISO 228/1 (BS 2779)

<b>1198</b>	■	■	■	■	■	■
<b>1197</b>	■	■	■	■	■	■
Weight (gr)	200	295	425	625	845	1270
H	85	93	102	111	119	130
H1	65	70	75	80	85	90
L	61	71	84	101	112	135
F	15	20	25	33	38	49
<b>G</b>	<b>1/2"</b>	<b>3/4"</b>	<b>1"</b>	<b>1"1/4</b>	<b>1"1/2</b>	<b>2"</b>



**Ottone cromato** ■  
Chromium-plated brass

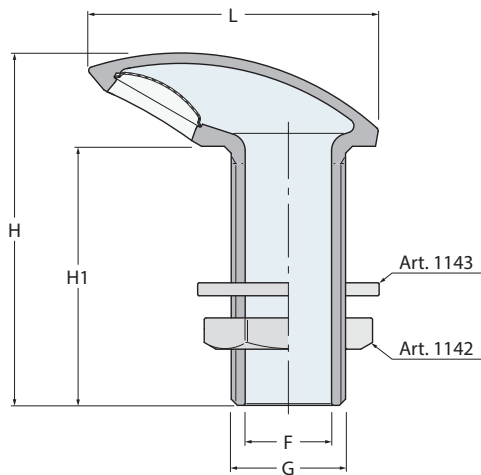
**1197**



**Ottone sabbiato** ■  
Yellow brass

**1199**

**Ombrinale serie "arrow" con filtro**  
Air vent "arrow" series with flame protection net



FILETTATURE / THREAD :  
G = ISO 228/1 (BS 2779)

<b>1199</b>	■	■	■	■	■	■
Weight (gr)	200	295	425	625	845	1270
H	85	93	102	111	119	130
H1	65	70	75	80	85	90
L	61	71	84	101	112	135
F	15	20	25	33	38	49
<b>G</b>	<b>1/2"</b>	<b>3/4"</b>	<b>1"</b>	<b>1"1/4</b>	<b>1"1/2</b>	<b>2"</b>



**Ottone cromato** ■  
Chromium-plated brass



GENERAL  
*Marine*  
SERVICES

156 Beaumont Street · Westhaven · Auckland · New Zealand

Sales Ph +64 9 309 0048 · sales@generalmarine.co.nz

Service Ph +64 9 368 0938 · service@generalmarine.co.nz

[www.generalmarine.co.nz](http://www.generalmarine.co.nz)