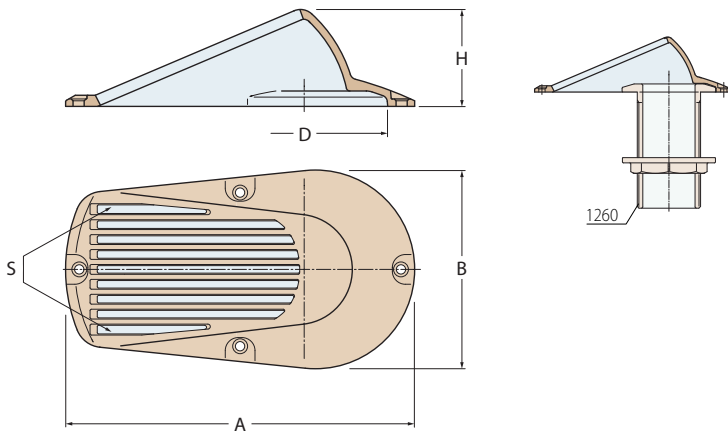


# prese e scarichi a mare water intakes and thru-hulls

**1261**

**Cuffia serie "manta"**  
Water inlet "manta" series



<b>1261</b>	■	■	■	■	■	■	■	■	■	■	■	■	■	■
Weight (gr)	140	200	305	425	570	960	1350	1600	3800	7150	8500	14950		
<b>3261</b>	■	■	■	■	■	■	■	■	■	■	■	■	■	■
Weight (gr)		92	128	171	288	405	480	1140	2145	2550	4485			
S (cm <sup>2</sup> )	4.1	6.6	10.6	14	21.7	30.6	43.6	60.4	118.5	181.2	273	441.5		
D	41	48	58	68	76	90	110	124	152	192	228	284		
H	21	25	30	35	40	52	59	65	95	121	122	127		
B	50	57	68	80	92	108	128	142	182	224	272	332		
A	87	105	123	137	158	189	221	235	340	431	480	578		
Ref.	1/2"	3/4"	1"	1 1/4"	1 1/2"	2"	2 1/2"	3"	4"	5"	6"	8"		

Bronzo  
Bronze ■

**3261**



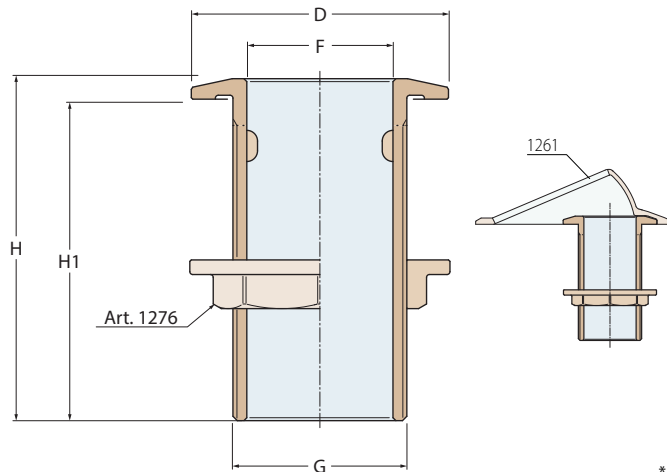
Alluminio anodizzato nero  
Black anodized aluminium ■

**1260**

**Scarico a mare**  
Thru-hull connection

**Omologato RINA**  
RINA validated

**Conforme alla norma**  
Compliant with  
**UNI EN ISO 9093-1**



\* M216x3.5  
FILETTATURE / THREAD :  
G = ISO 228/1 (BS 2779)



Bronzo  
Bronze ■

**3260**



Alluminio anodizzato nero  
Black anodized aluminium ■

<b>1260</b>	■	■	■	■	■	■	■	■	■	■	■	■	■	■
Weight (gr)	90	170	250	360	610	755	1040	1860	2650	4480	9050	10900	18400	
<b>3260</b>	■	■	■	■	■	■	■	■	■	■	■	■	■	■
Weight (gr)		108	183	227	312	558	795	1344	2715	3270	5520			
H	64	70	75	85	91	96	107	128	158	209	260	262	312	
D	28	40	47	57	67	75	88	108	122	150	190	225	280	
H1	60	65	70	80	85	90	100	120	150	200	250	250	300	
F	11	13	19	25	32	38	50	63	76	100	120	150	200	
G	3/8"	1/2"	3/4"	1"	1 1/4"	1 1/2"	2"	2 1/2"	3"	4"	5"	6"	(8")*	



GENERAL  
*Marine*  
SERVICES

156 Beaumont Street · Westhaven · Auckland · New Zealand

Sales Ph +64 9 309 0048 · sales@generalmarine.co.nz

Service Ph +64 9 368 0938 · service@generalmarine.co.nz

[www.generalmarine.co.nz](http://www.generalmarine.co.nz)