

**Filtro depurazione acqua serie "Ionio" con disco in policarbonato**  
Water strainer "Ionio" series with polycarbonate cover

**Filtro omologato RINA DIP**  
RINA DIP certificate



FILETTATURE / THREAD :  
G = ISO 228/1 (BS 2779)

<b>1164</b>								
Weight (gr)	2800	2700	3400	4000	6200	9000	9600	14600
<b>3164</b>								
Weight (gr)	970	930	1170	1380	2100	3280	3550	4800
d	8.5	8.5	8.5	8.5	10	11	11	11
A	30	30	40	40	50	60	80	100
H	145	145	168	178	215	243	276	326
H1	94	94	106	111	135	150	177	211
L1	75	75	85	91	106	126	129	142
L	151	151	167	180	213	252	255	277
<b>G</b>	<b>3/4"</b>	<b>1"</b>	<b>1 1/4"</b>	<b>1 1/2"</b>	<b>2"</b>	<b>2 1/2"</b>	<b>3"</b>	<b>4"</b>

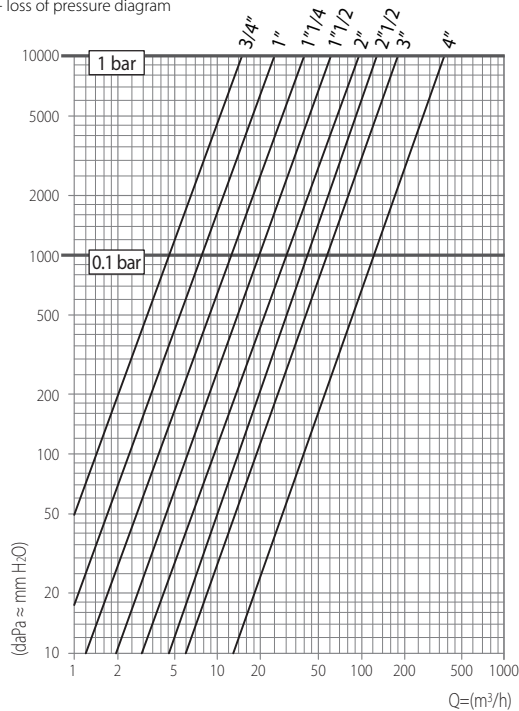
**Bronzo nichelato**  
Nickel-plated bronze

**3164**



**Alluminio anodizzato nero**  
Black anodized aluminium

**Diagramma portate - perdite di carico**  
Flow rate - loss of pressure diagram



**Corpo in bronzo nichelato / Alluminio anodizzato nero**  
Nickel-plated bronze / Black anodized aluminium casing

**Elemento filtrante in acciaio inox AISI 316L**  
AISI 316L stainless steel inside filter

**Disco in policarbonato trasparente**  
Transparent polycarbonate cover

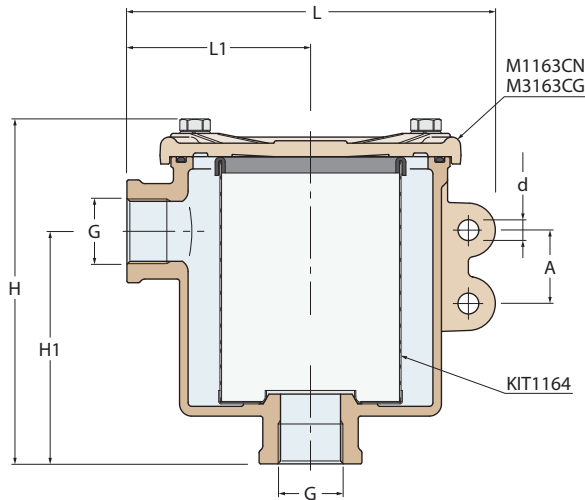
**Guarnizioni in neoprene**  
Neoprene o-ring

G	0.1 bar	1 bar
3/4"	4650	14900
1"	7950	25500
1 1/4"	12100	38200
1 1/2"	19100	61250
2"	30000	96200
2 1/2"	42600	134000
3"	58400	184000
4"	123000	390000

**Portate di acqua attraverso il filtro pulito - lt/h**  
Flow-rate capacity through the clean filter - lt/h

**Filtro depurazione acqua serie "Ionio" con coperchio in metallo**  
Water strainer "Ionio" series with metal cover

**Filtro omologato RINA MAC**  
RINA MAC certificate



FILETTATURE / THREAD :  
G = ISO 228/1 (BS 2779)

1166	2900	2800	3600	4400	6700	10200	10800	15800
Weight (gr)	2900	2800	3600	4400	6700	10200	10800	15800
3166	1000	970	1250	1500	2100	3280	3600	4850
Weight (gr)	1000	970	1250	1500	2100	3280	3600	4850
d	8.5	8.5	8.5	8.5	10	11	11	11
A	30	30	40	40	50	60	80	100
H	143	143	165	176	215	243	276	326
H1	94	94	106	111	135	150	177	211
L1	75	75	85	91	106	126	129	142
L	151	151	167	180	213	252	255	277
G	3/4"	1"	1 1/4"	1 1/2"	2"	2 1/2"	3"	4"



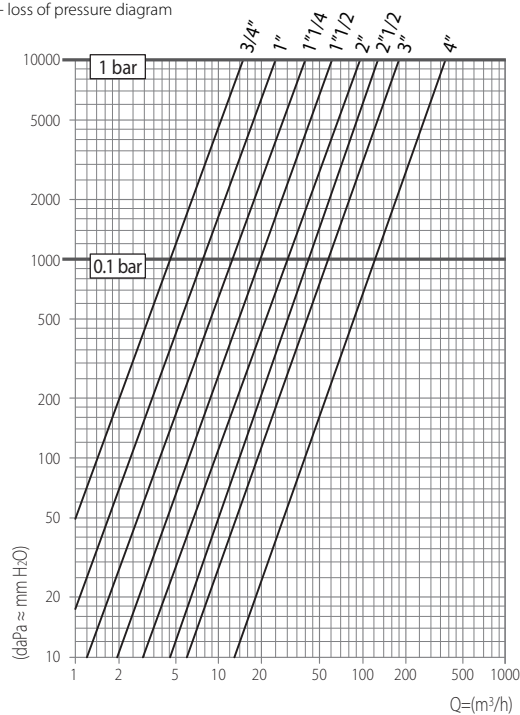
**Bronzo nichelato** ■  
Nickel-plated bronze

**3166**



**Alluminio anodizzato nero** ■  
Black anodized aluminium

Diagramma portate - perdite di carico  
Flow rate - loss of pressure diagram



**Corpo in bronzo nichelato / Alluminio anodizzato nero**  
Nickel-plated bronze / Black anodized aluminium casing

**Elemento filtrante in acciaio inox AISI 316L**  
AISI 316L stainless steel inside filter

**Coperchio in bronzo nichelato / Alluminio anodizzato nero**  
Nickel-plated bronze / Black anodized aluminium cover

**Guarnizioni in neoprene**  
Neoprene o-ring

G	0.1 bar	1 bar
3/4"	4650	14900
1"	7950	25500
1 1/4"	12100	38200
1 1/2"	19100	61250
2"	30000	96200
2 1/2"	42600	134000
3"	58400	184000
4"	123000	390000

**Portate di acqua attraverso il filtro pulito - lt/h**  
Flow-rate capacity through the clean filter - lt/h