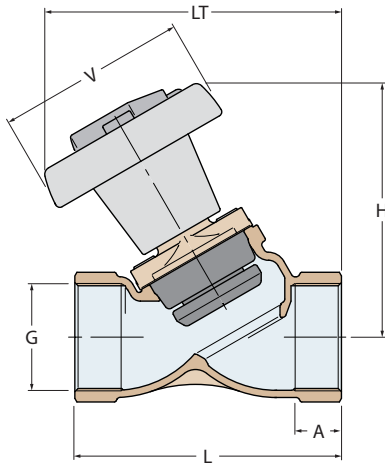


Valvola "antiblocco" filettata con indicatore di posizione
Threaded "non stick" valve with position indicator

Omologato RINA
RINA validated

Conforme alla norma
Compliant with
UNI EN ISO 9093-1

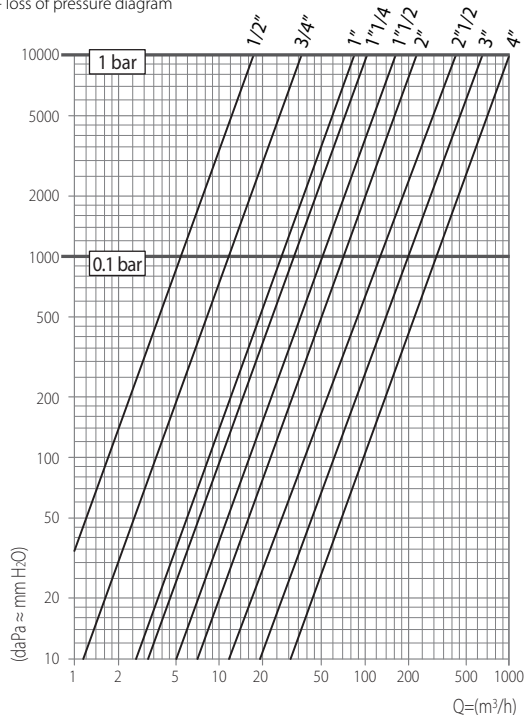


FILETTATURE / THREAD :
G = EN 10226/1 (BS 21)

2210	1/2"	3/4"	1"	1 1/4"	1 1/2"	2"	2 1/2"	3"	4"
Weight (gr)	514	554	1350	1450	2200	2650	5300	6200	9500
LT	103	104	132	135	159	164	215	216	256
V	60	60	80	80	100	100	125	125	160
H	100	100	122	124	142	142	180	185	213
L	79	84	104	112	126	148	195	206	245
A	15	16.3	19.1	21.4	21.4	25.7	30.2	33.3	35.8
G	1/2"	3/4"	1"	1 1/4"	1 1/2"	2"	2 1/2"	3"	4"

Bronzo
Bronze

Diagramma portate - perdite di carico
Flow rate - loss of pressure diagram



Struttura in bronzo
Bronze body

Guarnizioni in neoprene
Neoprene gaskets

Viti in acciaio inox
Stainless steel screws

Volantino in termoplastico
Thermoplastic handwheel

G	0.1 bar	1 bar
1/2"	5400	17400
3/4"	11800	35600
1"	27000	85400
1 1/4"	33200	105100
1 1/2"	51900	164200
2"	70800	223800
2 1/2"	135800	429500
3"	207700	656700
4"	324500	1026100

Portate di acqua - lt/h
Flow-rate capacity - lt/h