



SOUND SIGNALING EQUIPMENT AIR HORNS

MODEL S-0A AIR HORN

THE KAHLENBERG S-0A MARINE AIR HORN IS IMO CERTIFIED FOR BOATS UP TO 65 FEET (20 METERS) IN LENGTH. AS WITH ALL KAHLENBERG AIR HORNS FOR PLEASURE CRAFT, THE S-0A HAS BEEN DEVELOPED TO MAXIMIZE AUDIBILITY, WITH A RICHNESS OF TONE BASED ON MUSICAL INSTRUMENT DESIGN. CONSTRUCTED ENTIRELY OF BRONZE AND BRASS IT IS BUILT FOR A LIFETIME OF SERVICE.



TECHNICAL DETAILS

Frequency: 322 Hz
S.P.L. Output: 131 dB (A) @ 1 Meter
Air Consumption: 9 C.F.M., 4.2 l/s
Operating Pressure: 50 to 200 p.s.i. (3.5 to 14 bar)
Electric Power: 12 or 24 Volt D.C. (Compressor)
Material: Bronze and Cast Brass
Net Weight: 4.75 lbs., 2.15 kg
Finishes: Kahlenberg Chrome Plate, TGIC Sky White Powdercoat, Gold PVD, Black Chrome PVD
Certification: ABS, NMMA Certified A-23

FEATURES AND BENEFITS OF THE S-0A AIR HORN INCLUDE:

- ✦ Output exceeds other horns of similar size.
- ✦ Made entirely of brass with bronze diaphragm: (Function of the horn guaranteed for as long as you own it.)
- ✦ Low air consumption: Allows for use of a very small compressor/tank kit as compared to other air horns.
- ✦ Easy Installation: Compact Compressor Pump, Fittings, and tubing are easily installed when supplied, (see P449-17 and P449-18 Compressor Systems and V-69-K Valve Kit.)

KAHLENBERG INDUSTRIES, INC.
1700 12TH STREET, P.O. BOX 358
TWO RIVERS, WI 54241 U.S.A.

WWW.KAHLENBERG.COM



GENERAL
Marine
SERVICES

156 Beaumont Street · Westhaven · Auckland · New Zealand
Sales Ph +64 9 309 0048 · sales@generalmarine.co.nz
Service Ph +64 9 368 0938 · service@generalmarine.co.nz

www.generalmarine.co.nz



Marine Air Horns

Model S-0A Air Horn

One of the Kahlenberg “Zero Series” range of air horns, the S-0A Air Horn is certified to international requirements (IMO COLREGS) for boats up to 65 feet (20 Meters) in length. Made entirely of bronze and brass, the S-0A is constructed for a lifetime of marine service. The S-0A requires significantly less air to achieve high dB levels and can be powered by extremely small compressed air systems to minimize associated cost and space requirements on board.



- **FOR VESSELS LESS THAN 20 METERS IN LENGTH**
- **EXCEEDS IMO REQUIREMENTS FOR SOUND OUTPUT**
- **LOW AIR CONSUMPTION, OPERATES ON A WIDE RANGE OF AIR PRESSURE**
- **HIGHLY RELIABLE, VIRTUALLY NO MAINTENANCE**
- **TGIC SKY WHITE OR GRAY POWDERCOAT FINISH**

TECHNICAL DATA

Fundamental Frequency: 322 Hz

S.P.L. (dB(A)): 131 dB

S.P.L. (1/3 Octave @ 1 Meter): 122.9 dB

Air Consumption:

9 C.F.M. @ 100 p.s.i., 4.2 l/s @ 7 bar

Air Pressure Required:

50 to 200 p.s.i., 3.5 to 14 bar
(Higher pressures with optional regulators)

Electrical Power Required:

Any standard A.C. or D.C. Voltage

Material: Cast Bronze and Spun Brass

Net Weight: 4.75 lbs., 2.15 kg.,

Finish:

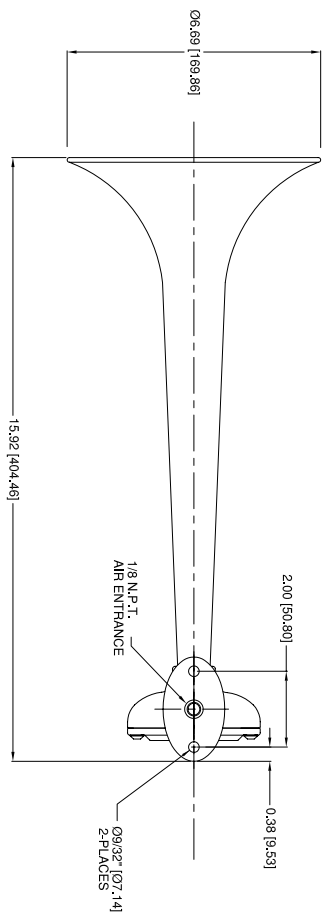
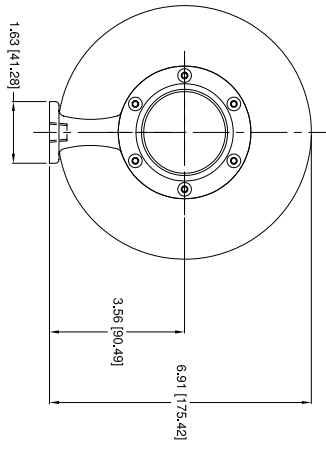
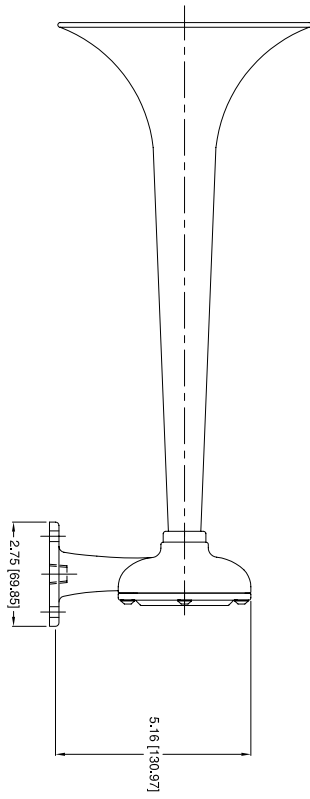
Unfinished (Brass), TGIC Sky White or Grey Powdercoat

Dimensions:

20.5" x 15.5" x 8.5" (524x394x217)



REV.	BY	DATE	DESCRIPTION	APP'D.
A	ZJM	09/01/11	REVISED WITH UPDATED BODY/STAND & COVER	EMK



TECHNICAL DATA
 Frequency: 322 Hz
 Sound Pressure Level (dB(A) @ 1 meter): 131.0 dB
 Sound Pressure Level (1/3 octave at 1 meter): 122.9 dB
 Air Consumption: 9 C.F.M. @ 100 P.S.I.
 Air Pressure Req: 50 to 200 P.S.I.
 Electric Power: N/A
 Material: Spun Brass and Cast Bronze
 Net Weight: 4.75 Lbs.
 Shipping Weight: 9 Lbs.

CONFIDENTIAL
 INFORMATION CONTAINED HEREIN IS CONFIDENTIAL, IT IS THE PROPERTY OF KAHLBERG INDUSTRIES INC. IT IS TO BE USED SOLELY FOR THE PURPOSES PROVIDED AND NOT TO BE REPRODUCED OR TRANSMITTED IN ANY FORM OR BY ANY MEANS, WITHOUT THE PRIOR WRITTEN CONSENT OF KAHLBERG INDUSTRIES INCORPORATED.
 © Copyright Kahlberg Ind. Inc. 2010

KAHLBERG INDUSTRIES INC.
 TWO RIVERS, WISCONSIN 53431

OUTLINE DIMENSIONS
S-0A AIRHORN

DR.	DATE	OKD.	SCALE	DRWG. NO.	REV.
ZJM	06/12/03	EMK	N.T.S.	3-6236	A



GENERAL Marine SERVICES

156 Beaumont Street · Westhaven · Auckland · New Zealand
 Sales Ph +64 9 309 0048 · sales@generalmarine.co.nz
 Service Ph +64 9 368 0938 · service@generalmarine.co.nz

www.generalmarine.co.nz



“Zero Series” Air Horns

Model S-0A-T Air Horn

The Kahlenberg S-0A-T Air Horn has been designed to minimize air consumption, and maximize sound pressure output, while retaining the superior finish and durable construction Kahlenberg Air Horns are famous for. The S-0A-T is certified to IMO Requirements for vessels up to 20 Meters in length, and can be powered by an extremely small piston compressor pump. No air receiver is needed for the system, and the oil-less piston pump is far more durable than typical rotary units powering smaller, less powerful air horns. See Kahlenberg compressor kit numbers P449-27 and P449-28.



TECHNICAL DATA

Fundamental Frequency: 343 Hz

S.P.L. (1/3 Octave @ 1 Meter): 122 dB

S.P.L. (dB(A)): 122 dB

Air Consumption:

1.2 C.F.M. @ 30 p.s.i., .6 l/s @ 2 bar

Air Pressure Required:

30 to 200 p.s.i., 2 to 14 bar

(

Electrical Power Required:

12 or 24 V.D.C. Voltage (compressor)

Material: Cast Bronze and Spun Brass

Net Weight: 4.75 lbs., 2.15 kg.,

Finishes:

Kahlenberg Chrome Plate, TGIC Sky
White Powdercoat, Gold or Black
Chrome PVD

Dimensions:

20.5" x 15.5" x 8.5" (524x394x217)

- **FOR VESSELS LESS THAN 20 METERS IN LENGTH**
- **EXCEEDS IMO REQUIREMENTS FOR dB OUTPUT**
- **POWERED BY A SMALL 12 OR 24 VOLT D.C. OIL-LESS PUMP ONLY**
- **HIGHLY RELIABLE, VIRTUALLY NO MAINTENANCE**
- **HIGHEST OUTPUT AND LOWEST AIR CONSUMPTION FOR BOATS < 20 METERS**

Kahlenberg Industries, Inc.

1700 12th Street, P.O. Box 358

Two Rivers, Wisconsin, 54241

Phone: (920) 793-4507 / Fax: (920) 793-1346

Website: www.kahlenberg.com Email: info@kahlenberg.com



GENERAL
Marine
SERVICES

156 Beaumont Street · Westhaven · Auckland · New Zealand

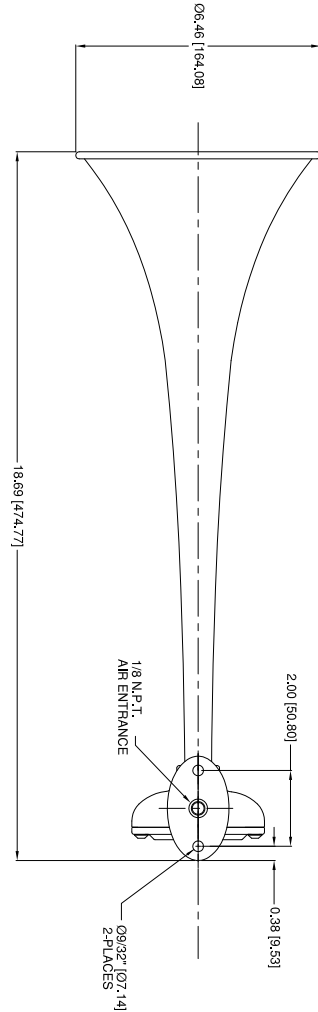
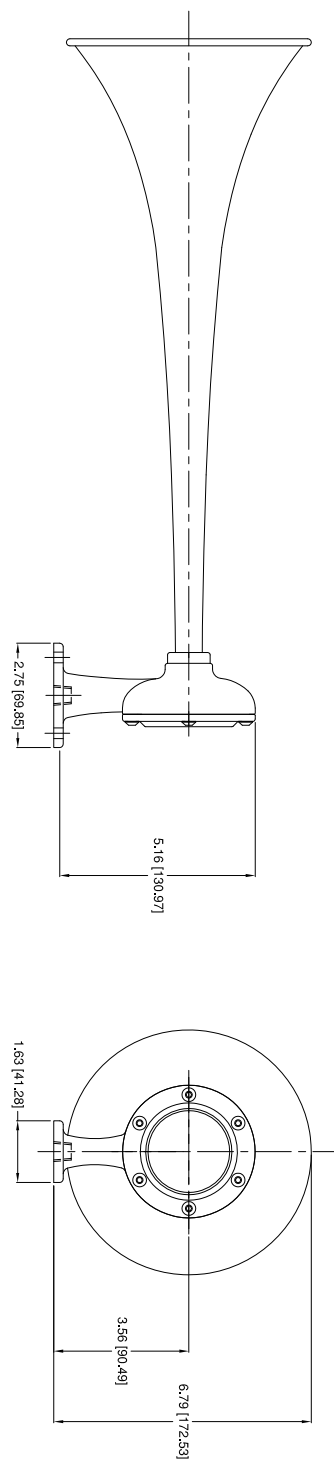
Sales Ph +64 9 309 0048 · sales@generalmarine.co.nz

Service Ph +64 9 368 0938 · service@generalmarine.co.nz

www.generalmarine.co.nz

Conforming to International Maritime Regulations
For Vessels Less than 20 Meters in Length

REV.	BY	DATE	DESCRIPTION	APP'D.



CAGE: 75214

TECHNICAL DATA
 Frequency: 343 Hz
 Sound Pressure Level (dB(A) @ 1 meter): 121.60 dB
 Sound Pressure Level (1/3 octave at 1 meter): 122.3 dB
 Air Consumption: 9 C.F.M. @ 100 P.S.I.
 Air Pressure Req: 30 to 200 P.S.I.
 Electric Power: N/A
 Material: Spun Brass and Cast Bronze
 Net Weight: 4.75 Lbs.
 Shipping Weight: 9 Lbs.

CONFIDENTIAL
 INFORMATION CONTAINED HEREIN IS PROPRIETARY OF KAHLBERG INDUSTRIES INC. IT IS TO BE USED SOLELY FOR THE PURPOSES INDICATED AND NOT TO BE REPRODUCED OR DISCLOSED TO ANY OTHERS WITHOUT THE EXPRESS WRITTEN CONSENT OF KAHLBERG INDUSTRIES INCORPORATED.
 © Copyright Kahlberg Ind. Inc. 2010

Kahlberg
 TWO RIVERS, WISCONSIN 53421

OUTLINE DIMENSIONS
S-0A-T AIR HORN

DR.	DATE	OK'D.	SCALE	DRWG. NO.	REV.
ZJN	01/30/13	EMK	N.T.S.	3-6751	