



SOUND SIGNALING EQUIPMENT AIR HORNS

MODEL T-0A AIR HORN

THE KAHLENBERG T-0A MARINE AIR HORN IS IMO CERTIFIED FOR BOATS UP TO 65 FEET (20 METERS) IN LENGTH. AS WITH ALL KAHLENBERG AIR HORNS FOR PLEASURE CRAFT, THE T-0A HAS BEEN DEVELOPED TO MAXIMIZE AUDIBILITY, WITH A RICHNESS OF TONE BASED ON MUSICAL INSTRUMENT DESIGN. CONSTRUCTED ENTIRELY OF BRONZE AND BRASS IT IS BUILT FOR A LIFETIME OF SERVICE.



TECHNICAL DETAILS

- Frequency:** 322, 295, & 254 Hz
- S.P.L. Output:** 131.2 dB (A) @ 1 Meter
- Air Consumption:** 21.5 C.F.M., 10 l/s
- Operating Pressure:** 50 to 200 p.s.i. (3.5 to 14 bar)
- Electric Power:** 12 or 24 Volt D.C. (Compressor)
- Material:** Bronze and Cast Brass
- Net Weight:** 16 lbs., 7.25 kg
- Finishes:** Kahlenberg Chrome Plate, TGIC Sky White Powdercoat, Unfinished Brass
- Certification:** ABS, NMMA Certified A-23

FEATURES AND BENEFITS OF THE T-0A AIR HORN INCLUDE:

- ✦ Output exceeds other horns of similar size.
- ✦ Made entirely of brass with bronze diaphragm: (Function of the horn guaranteed for as long as you own it.)
- ✦ Low air consumption: Allows for use of a very small compressor/tank kit as compared to other air horns.
- ✦ Easy Installation: Compact Compressor Pump, Fittings, and tubing are easily installed when supplied, (see P449-23 and P449-24 Compressor Systems and V-69-K Valve Kit.)

KAHLENBERG INDUSTRIES, INC.
1700 12TH STREET, P.O. BOX 358
TWO RIVERS, WI 54241 U.S.A.

WWW.KAHLENBERG.COM



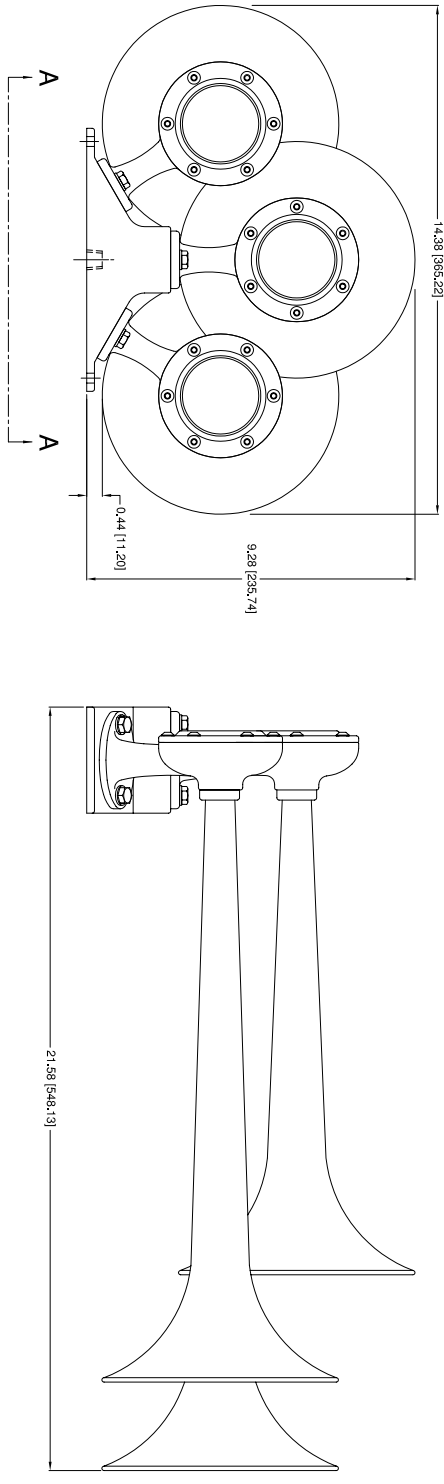
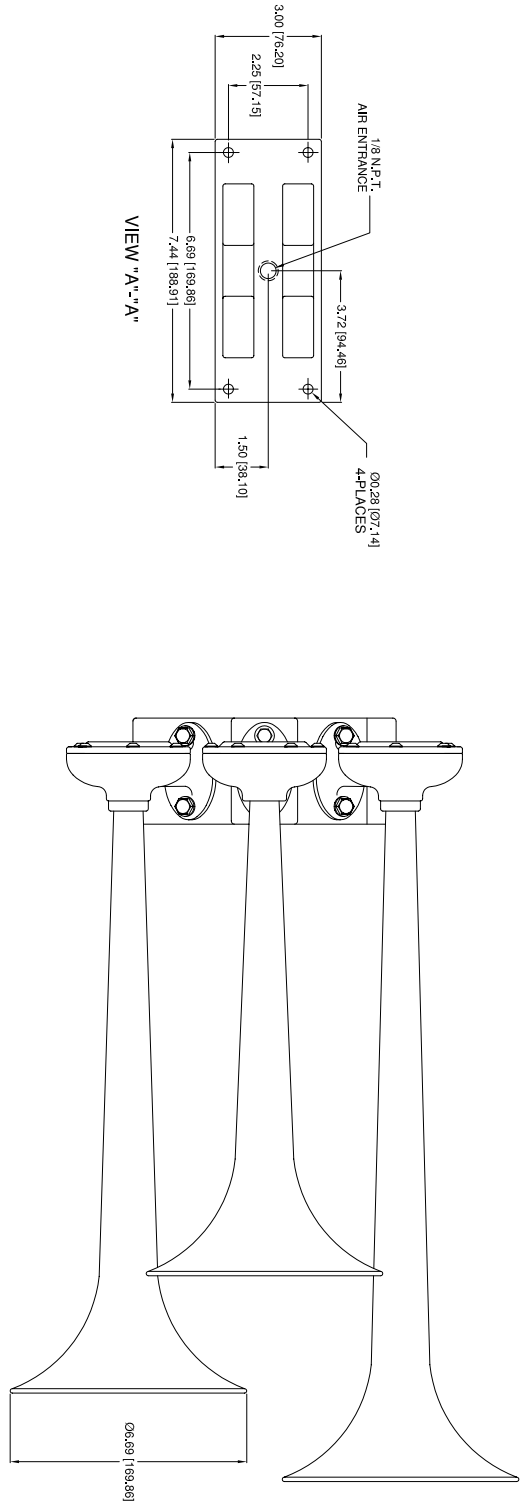
GENERAL
Marine
SERVICES

156 Beaumont Street · Westhaven · Auckland · New Zealand
Sales Ph +64 9 309 0048 · sales@generalmarine.co.nz
Service Ph +64 9 368 0938 · service@generalmarine.co.nz

www.generalmarine.co.nz

Conforming to International Maritime Regulations
For Vessels Less Than 20 Meters in Length

REV.	BY	DATE	DESCRIPTION	APP'D.
A	ZJM	03/02/11	REVISED WITH UPDATED BODY STANDS & COVERS	EMK



TECHNICAL DATA
 Frequency: 322, 295, & 254 Hz
 Sound Pressure Level (dB(A) at 1 meter): 131.2 dB
 Sound Pressure Level (1/3 octave at 1 meter): 122.9 dB
 Air Consumption: 21.5 C.F.M. @ 100 P.S.I.
 Air Pressure Req: 50 to 200 P.S.I.
 Electric Power: N/A
 Material: Spun Brass and Cast Bronze
 Net Weight: 16 Lbs.
 Shipping Weight: 28 Lbs.

CONFIDENTIAL
 INFORMATION CONTAINED HEREIN IS CONFIDENTIAL, IT IS THE PROPERTY OF KALEBERG INDUSTRIES INC. IT IS TO BE USED SOLELY FOR THE PURPOSES PROVIDED AND NOT TO BE REPRODUCED OR TRANSMITTED IN ANY FORM OR BY ANY MEANS WITHOUT THE PRIOR WRITTEN CONSENT OF KALEBERG INDUSTRIES INCORPORATED.
 © Copyright Kaleberg Ind. Inc. 2010

Kaleberg
 KALEBERG INDUSTRIES INC. TWO RIVERS, WISCONSIN 53431

**OUTLINE DIMENSIONS
 T-0A AIRHORN**

DR.	DATE	OK'D.	SCALE	DRWG. NO.	REV.
ZJM	03/02/11	EMK	N.T.S.	3-6242	A