

## CONNECTOR

Designed and made in New Zealand, Tru-Design Connectors are the superior composite connection for linking 2 hoses.



Tru-Design Connectors are moulded from a glass reinforced nylon composite. High strength, high-modulus glass fibres impregnated into the nylon provides dramatic strength, stiffness, toughness, and dimensional stability.

Tru-Design Connectors eliminate the corrosion and electrical bonding problems associated with metallic fittings. The Connectors are designed for twin hose clamps, and to not crush under high load conditions.

## MODELS

Part #	Description
90245	Connector 13mm/13mm
90599	Connector 13mm/13mm PKG
90248	Connector 19mm/19mm
90600	Connector 19mm/19mm PKG
90257	Connector 25mm/25mm
90601	Connector 25mm/25mm PKG
90356	Connector 32mm/32mm
90602	Connector 32mm/32mm PKG
90290	Connector 38mm/38mm
90603	Connector 38mm/38mm PKG
90492	Connector 50mm/50mm
90604	Connector 50mm/50mm PKG

*PKG product is supplied in bags with header cards*



## KEY FEATURES

Feature :	
Manufactured from a glass reinforced nylon composite	High strength and light weight.
Compatible with all hull types	Can be used on aluminum, steel, wood or FRP hulls.
Immune to corrosion and electrolysis	Long life with no concerns over decreased performance due to corrosion.
Chemical resistant	Impervious to diesel, petrol and antifouling paints.
UV resistant	These fittings will not break down with ultraviolet light or discolour from the sun.
High quality surface finish	Will not discolour with green film as similar bronze fittings do.
Large operating temperature range	Suitable for all marine environments, from -40°C to +110°C.

## SPECIFICATIONS

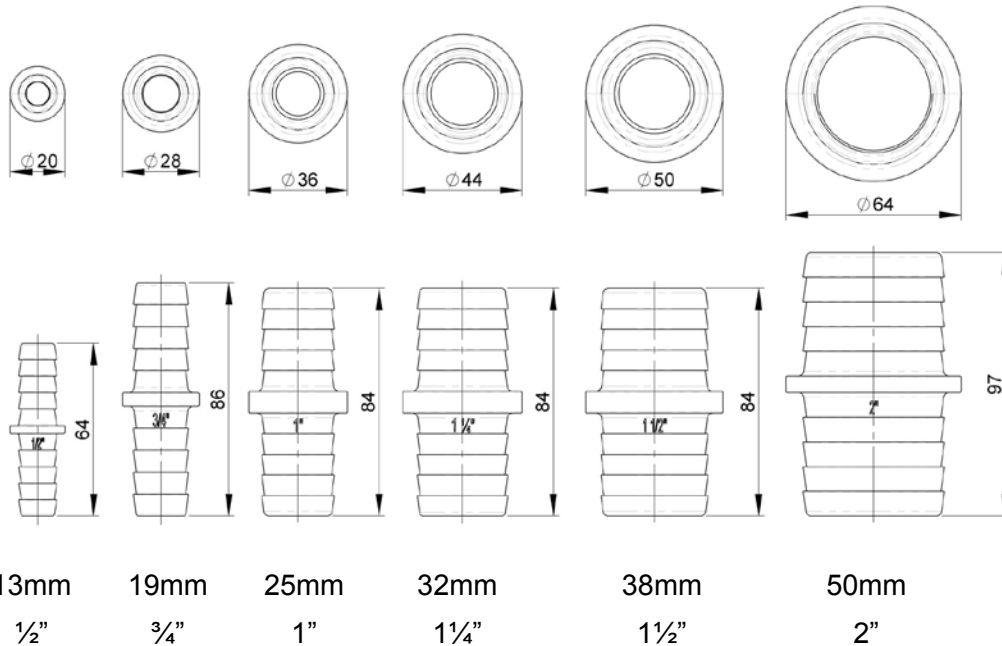
### FLOW DIAMETER

Size	Minimum I.D.
13mm	9mm
19mm	13mm
25mm	18mm
32mm	23mm
38mm	28mm
50mm	41mm



## DIMENSIONS

All dimensions in mm.  
All dimensions nominal.



## INSTALLATION

Fit the hose using hot water to soften.

Apply twin hose clamps for a secure connection.

It is recommended that all plumbing is securely fastened to the boat structure to eliminate rattling, wear or inadvertent disconnection.

## SERVICING

As composite Connectors are immune to corrosion, minimal servicing is required.

Hose clamps should be checked regularly for a secure connection.

Tru-Design Plastics Ltd. accepts no responsibility for Products which are improperly installed or tampered with. Although the information presented in this product information sheet is believed to be accurate and reliable, no responsibility for inaccuracies can be assumed by Tru-Design Plastics Ltd. This performance data is typical only and variations due to component manufacturing tolerances are normal. Tru-Design Plastics Ltd. reserves the right at any time to change performance characteristics or specifications without prior notice. Tru-Design Plastics Ltd. all rights reserved.

**Doc: PIS - Connector 3.0.doc**

**Page 3 of 3**

LEADERS IN MARINE COMPOSITE FITTINGS

[www.trudesignplastics.com](http://www.trudesignplastics.com)



GENERAL  
*Marine*  
SERVICES

156 Beaumont Street · Westhaven · Auckland · New Zealand

Sales Ph +64 9 309 0048 · [sales@generalmarine.co.nz](mailto:sales@generalmarine.co.nz)

Service Ph +64 9 368 0938 · [service@generalmarine.co.nz](mailto:service@generalmarine.co.nz)

[www.generalmarine.co.nz](http://www.generalmarine.co.nz)